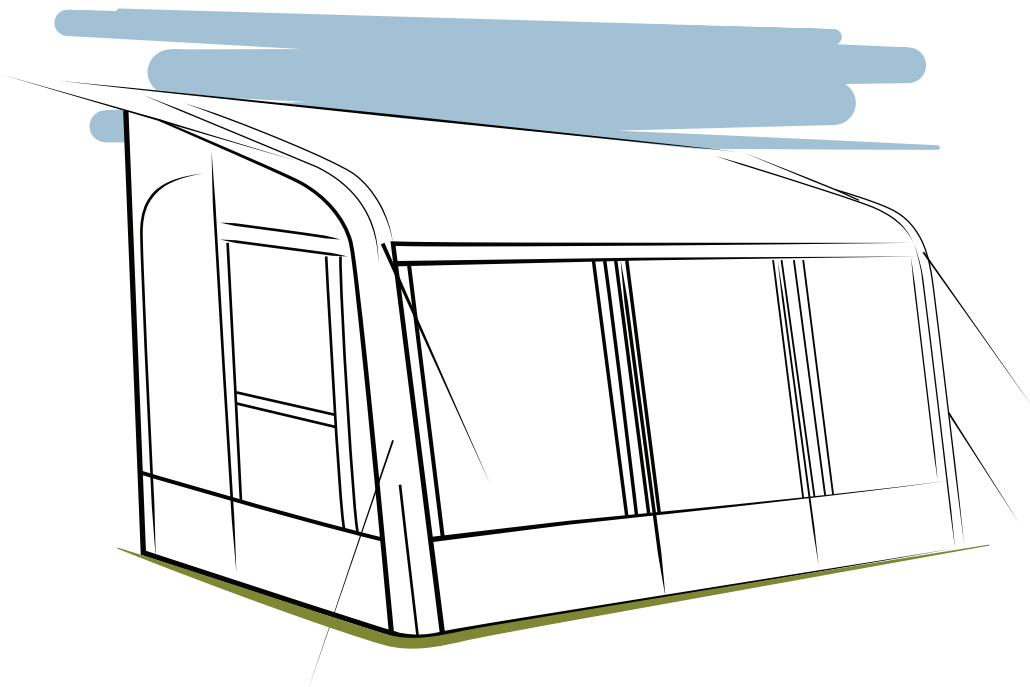




VENTURA



Pascal390

R4597 V1 2016

i

10 x 

5 x 
5 x 

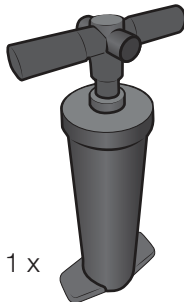
63 x 

42 x 

5 x 



1 x 



1 x



3 x 

1 x 

1 x 

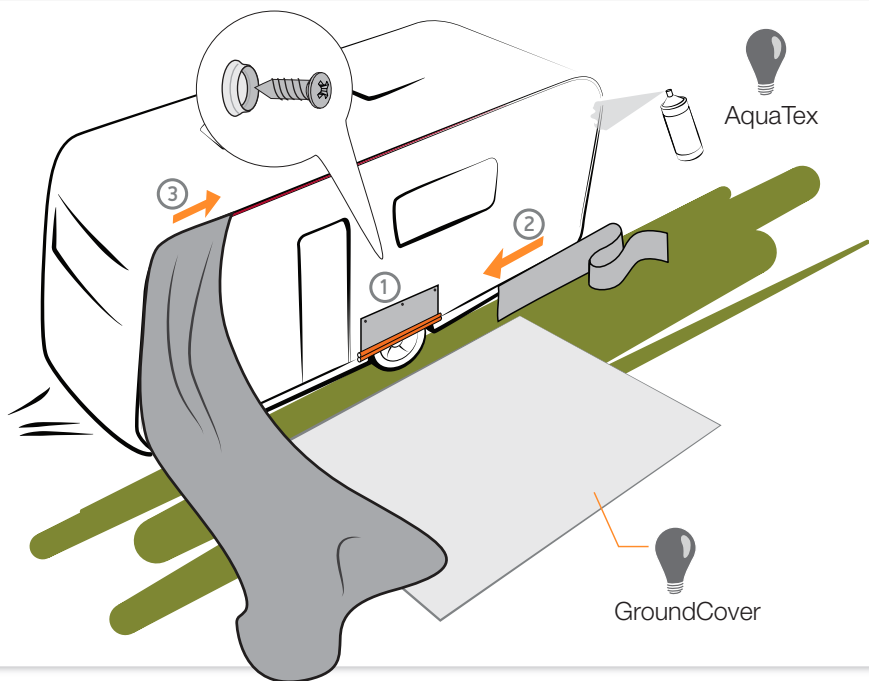
1 x

3 x 

8 x 

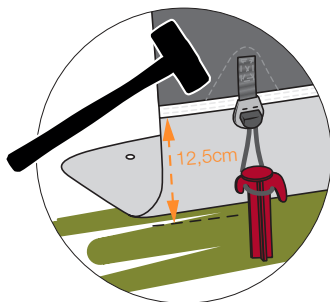
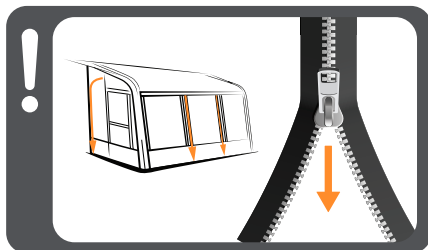
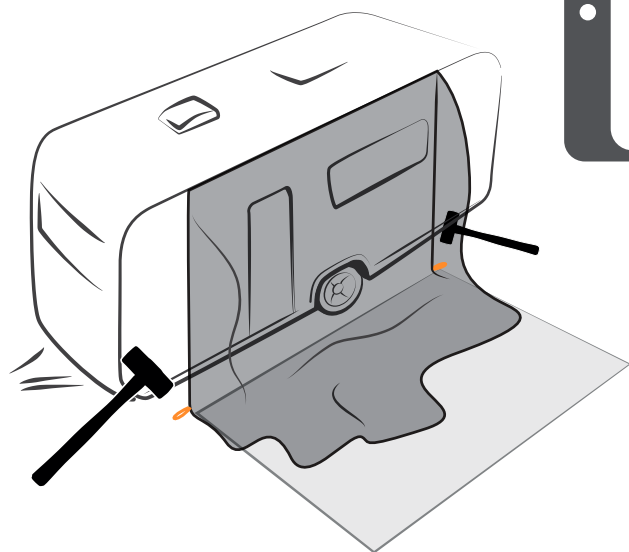
Marked with  = not included

1

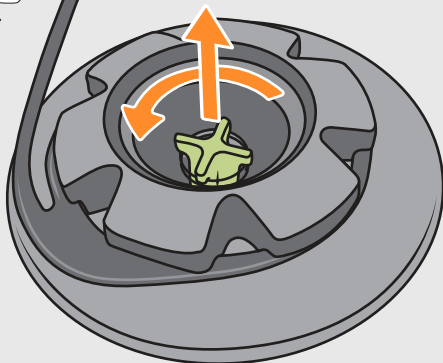
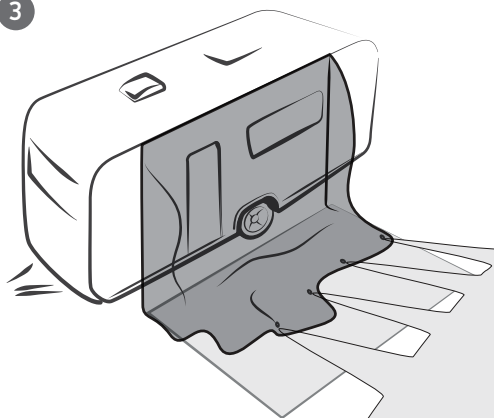


VENTURA

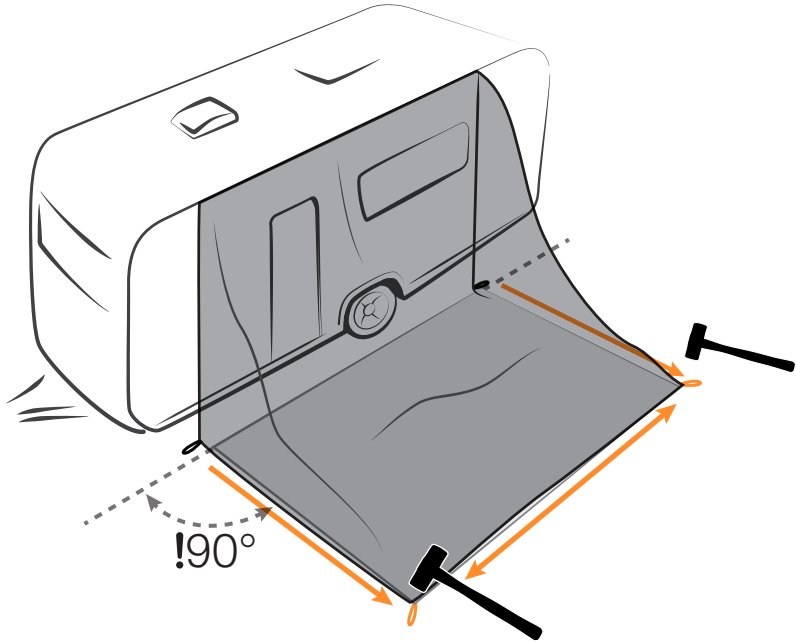
2



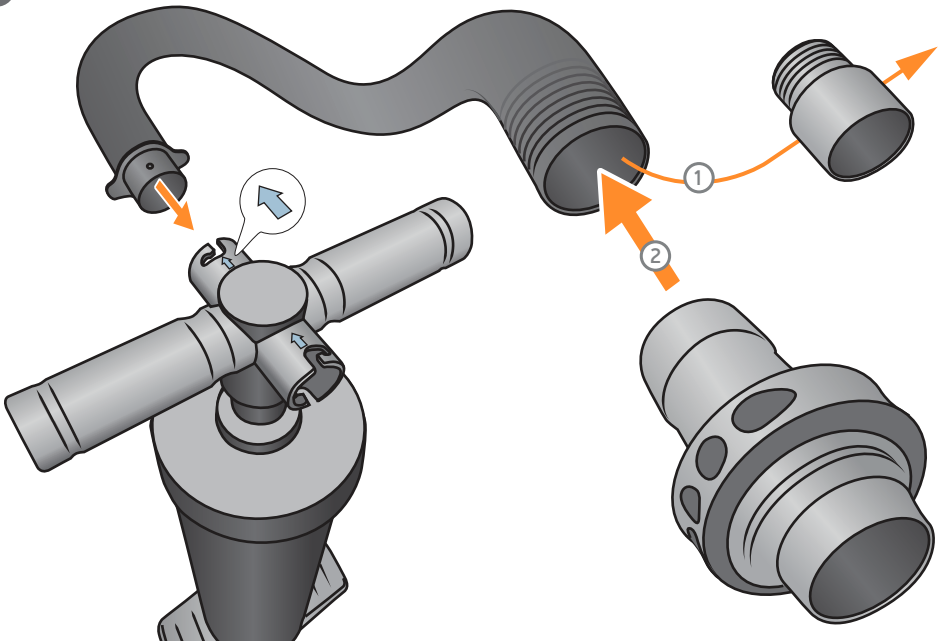
3



4

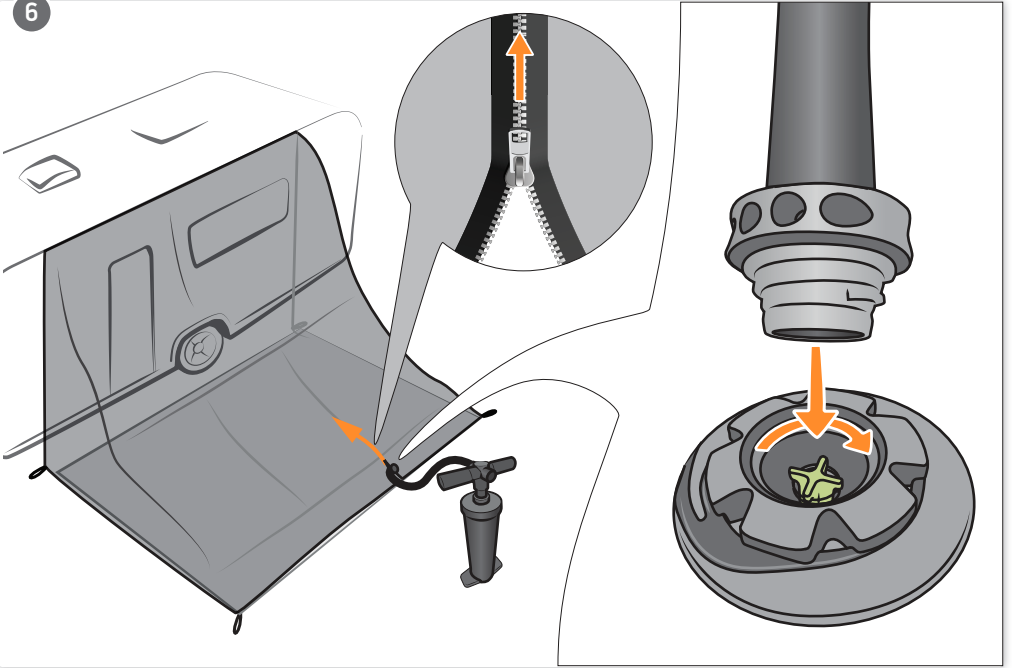


5

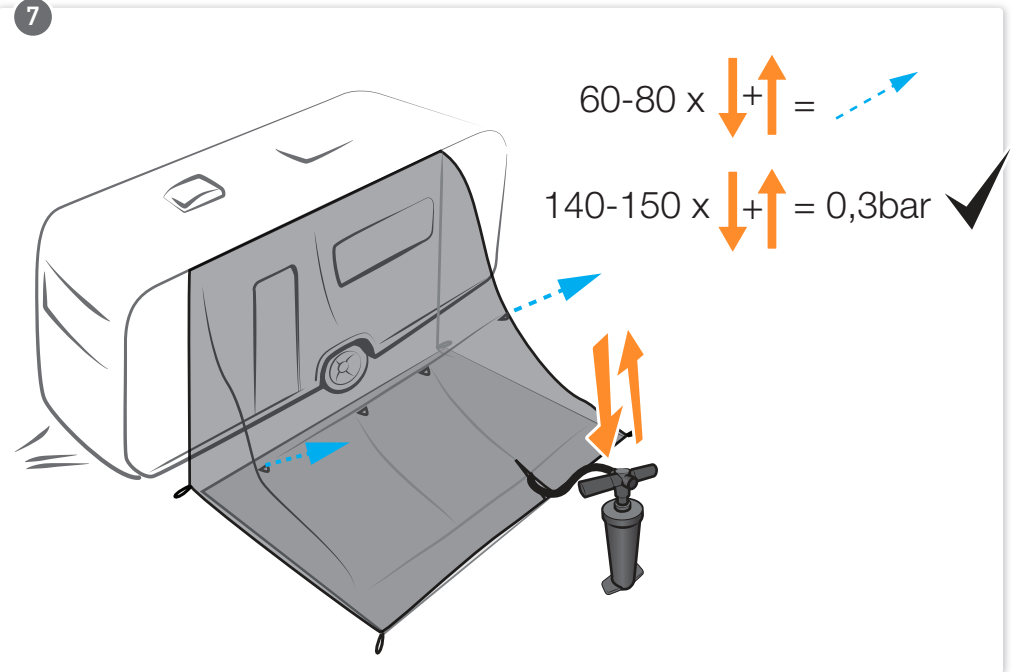


VENTURA

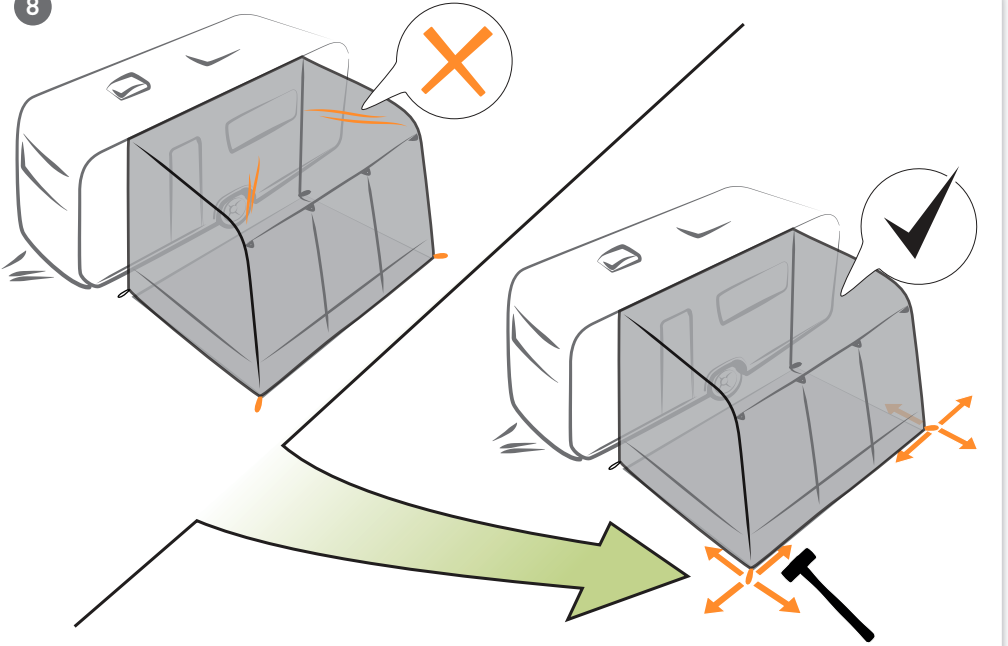
6



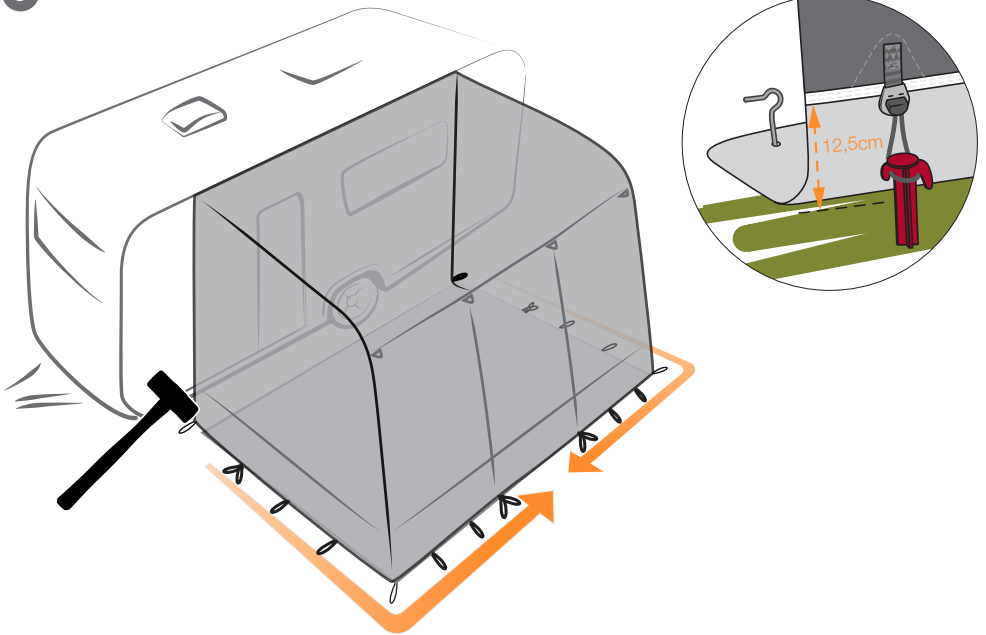
7



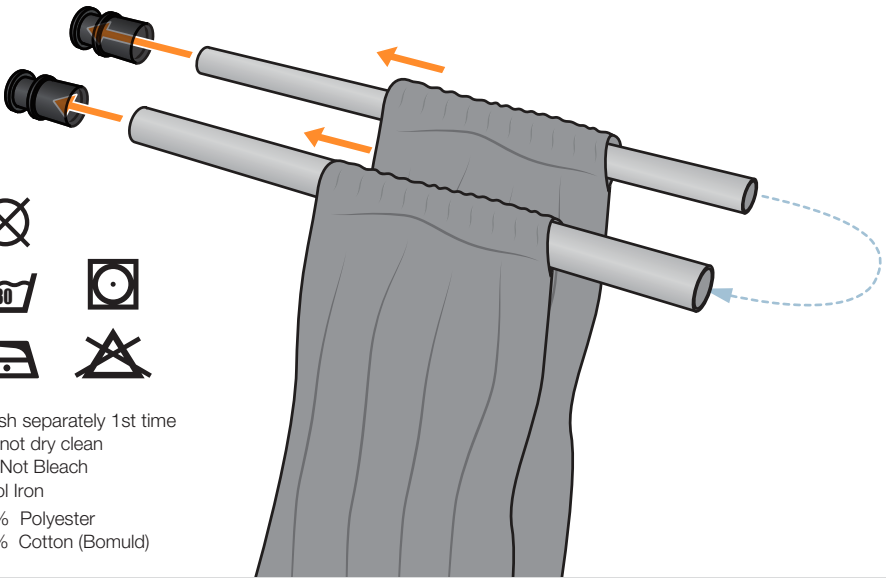
8



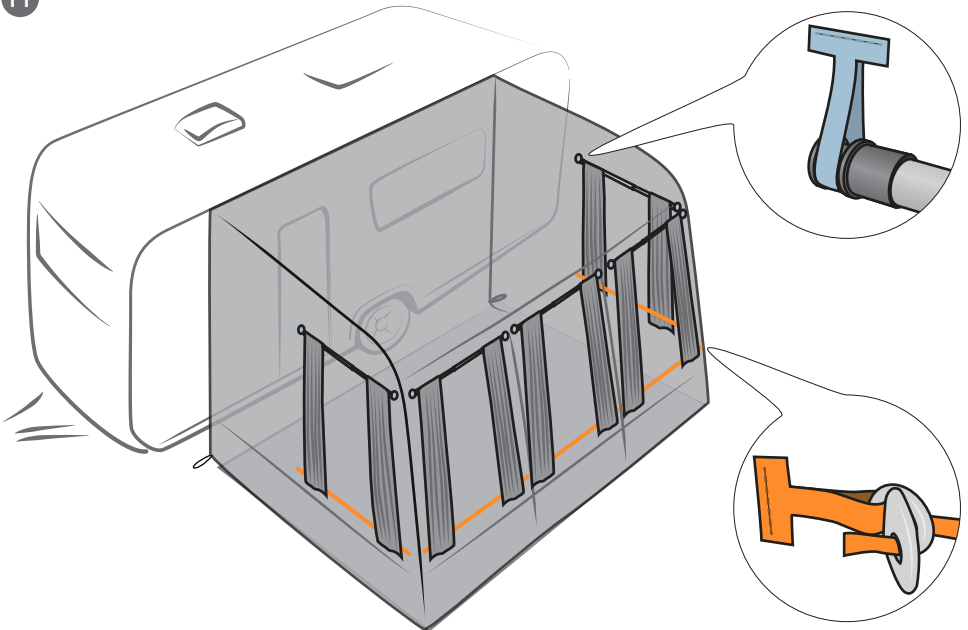
9

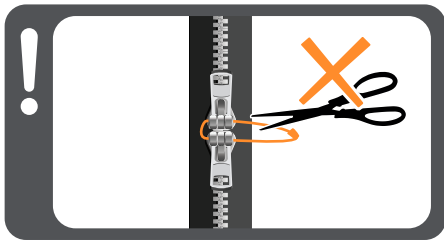
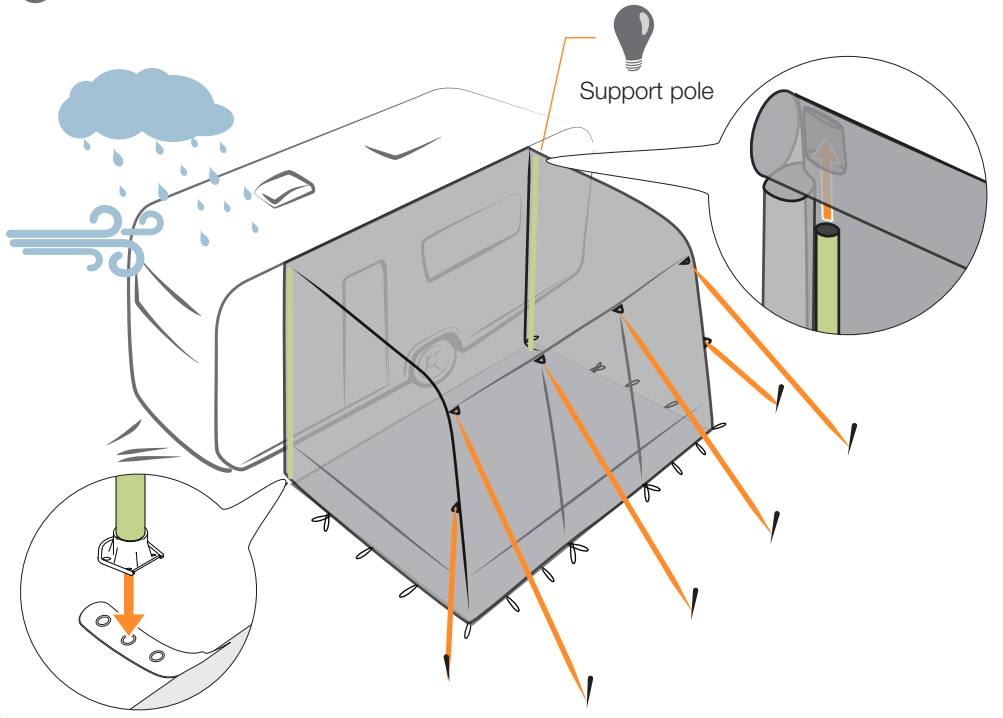


10



11





Warranty no longer apply if lock is broken.
Garantien bortfalder, hvis låsen brydes.

